



AS Tandem 15/15 Black Edition

3666851

GTIN: 400712630296 0

For hinged door cabinets from 300 mm width



SWING



2 BUCKET

30 L

TOTAL

Suitable for cabinet width (cm)

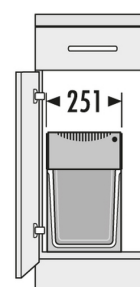
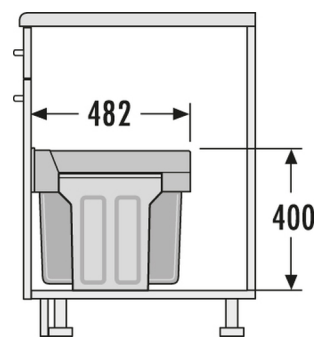
30, 40, 45, 50, 60, 80, 90

The purchase price includes the planting of a new tree and HAILO donates an additional tree.

The reforestation specifically takes place in the Haiger/Burbach area, in the border triangle HE/RP/NRW.

Specifications

Type of installation	Swing	✓
Cabinet-width min. (cm)		30
Cabinet-width max. (cm)		90
Suitable for cabinet width (cm)		30, 40, 45, 50, 60, 80, 90
available Cabinet-depth min. (mm)		482
Bottom-mounted		✓
Slides		Full extension
Product dimensions (WxDxH) (mm)		251 x 482 x 400
Packing dimensions (WxDxH) (mm)		260 x 504 x 420
Number of bins		2
Capacity (l)		2 x 15



PRODUCT SPECIFICATION SHEET



Total volume (l)	30
Color metal parts	Black
Color plastic parts	Black
Weight incl. packing (kg)	7